



PHONE 214-477-1344 FAX 972-317-6889
 PO BOX 294488 LEWISVILLE, TX 75029

Injector

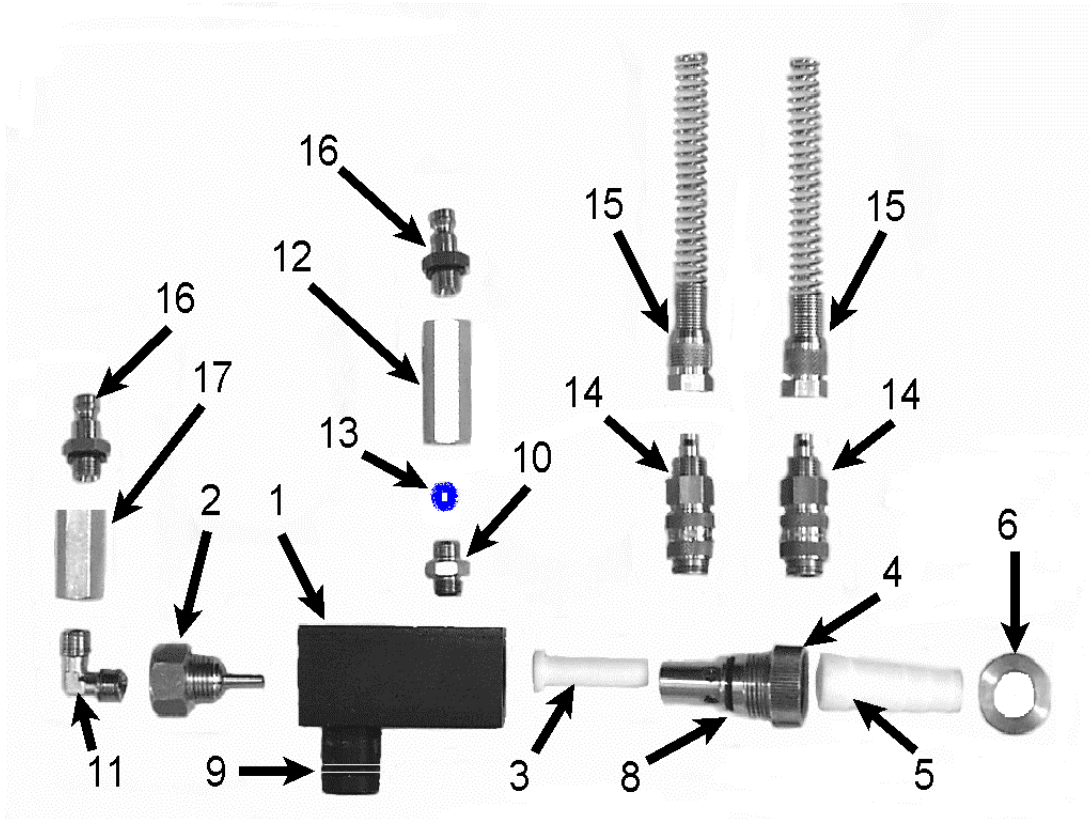


Illustration 1 Spareparts of the Injector

<i>Pos.</i>	<i>Order No.</i>	<i>Description</i>
	310000.03/44001	Injector Complete
1	3000001.01/44000	Injector Bare
2	300002.01/44342	Injector Nozzle
3	300003.01/44305	Insert Sleeve
4	300004.01/444475	Dosing Sleeve
5	300005.04/44343	Hose Connector
6	300006.01/44375	Brass Nut
8	300008.01/44391	O-Ring



PHONE 214-477-1344 FAX 972-317-6889
PO BOX 294488 LEWISVILLE, TX 75029

<i>Pos.</i>	<i>Order No.</i>	<i>Description</i>
9	300009.01/44390	<i>O-Ring</i>
11	300011.01/44325	Elbow
12 & 17	300012.01/44321	<i>Check Valve</i>
13	300071.01/44394	Washer
14 & 15	300014.01/44372	8mm QD Socket
14 & 15	300023.01/44370	6mm QD Socket

Wear Parts are printed in *italic type*